

NOTES:

1. SUPPORTS SHOWN FOR ALUMINUM TRIPLEX SERVICE CONDUCTORS 1/0 OR SMALLER, LESS THAN 150' FROM EWEB FACILITIES AND NOT CROSSING ROAD. FOR LARGER SERVICE CONDUCTORS OR FARTHER FROM EWEB FACILITIES, OR WHEN TEMPORARY SERVICE CROSSES A ROAD PROVIDE A GUYED TEMPORARY SERVICE POLE AS SHOWN ON PAGE 2.
2. CUSTOMER SHALL SUPPLY, INSTALL, MAINTAIN, AND OWN EVERYTHING SHOWN EXCEPT EQUIPMENT NOTED BY EWEB.
3. TEMPORARY METER POST AND SUPPORT BRACES SHALL BE LOCATED ON CUSTOMER PROPERTY.

**ELECTRIC SERVICE REQUIREMENT STANDARD
EUGENE WATER & ELECTRIC BOARD - EUGENE, OREGON**

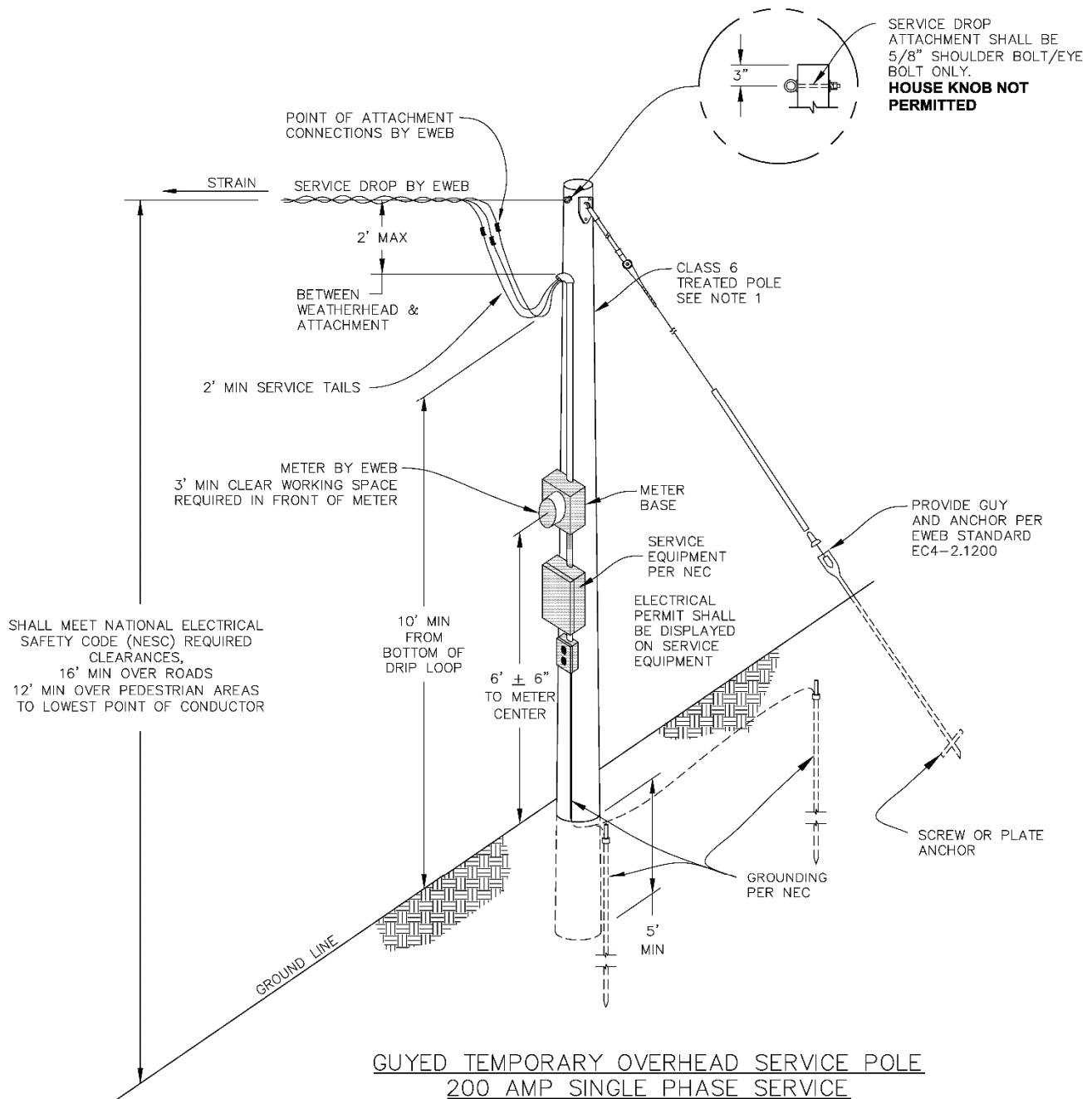
TEMPORARY SERVICE REQUIREMENTS

Approved May 23, 2017

EC5-B.3000

**REV
1**

Page 1 of 6



NOTES:

1. POLE SHALL BE TALL ENOUGH TO PROVIDE THE NESC REQUIRED CLEARANCE TO LOWEST POINT OF SERVICE CONDUCTOR.
2. CUSTOMER SHALL SUPPLY, INSTALL, MAINTAIN, AND OWN EVERYTHING SHOWN EXCEPT EQUIPMENT NOTED BY EWEB.
3. TEMPORARY METER POLE AND ANCHOR SHALL BE LOCATED ON CUSTOMER PROPERTY.
4. MAY ALSO BE USED FOR 120/240 VOLT SINGLE PHASE TEMPORARY SERVICES UP TO 320 AMPS.

ELECTRIC SERVICE REQUIREMENT STANDARD
EUGENE WATER & ELECTRIC BOARD - EUGENE, OREGON

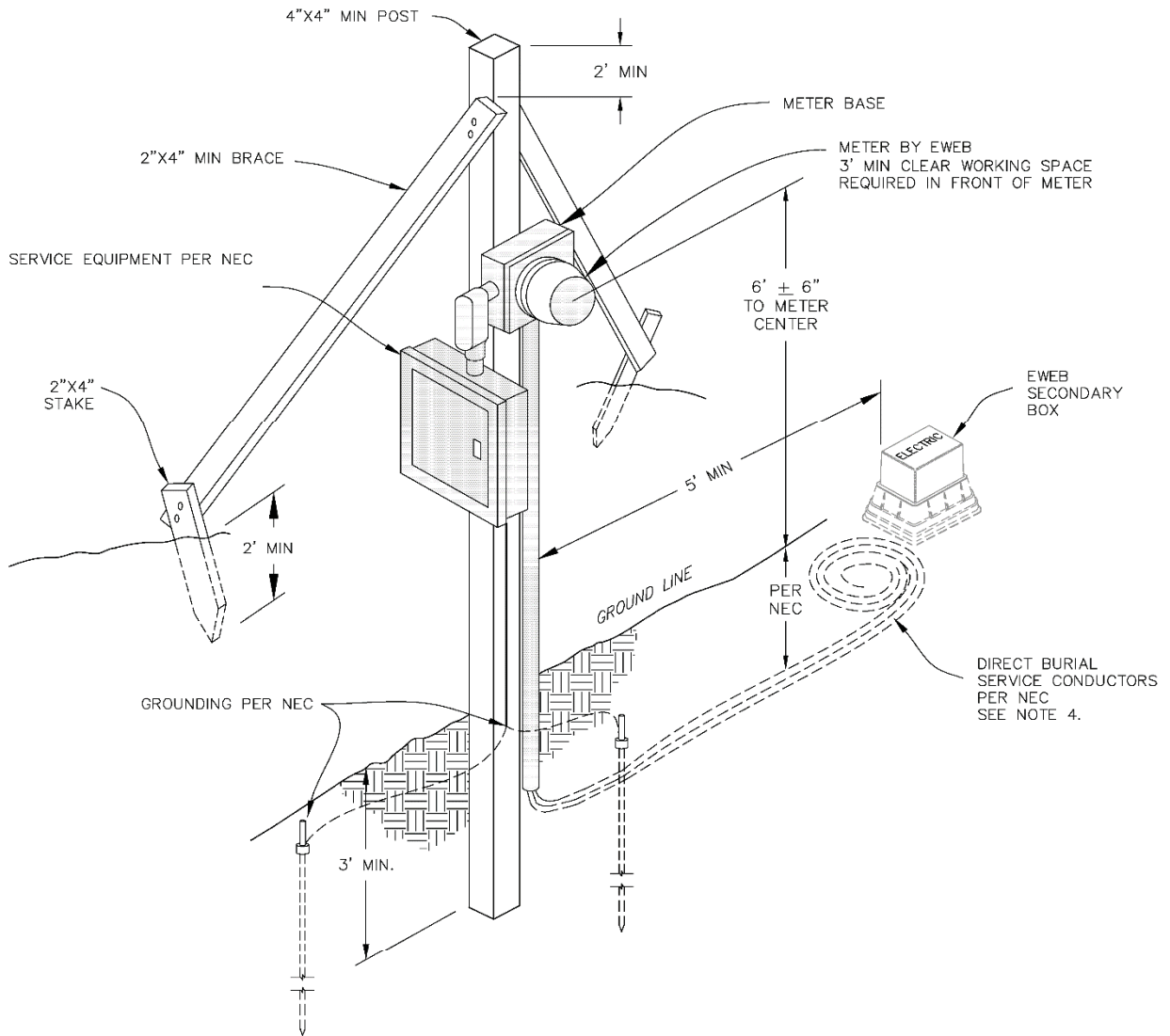
TEMPORARY SERVICE REQUIREMENTS

Approved May 23, 2017

EC5-B.3000

Page 2 of 6

**REV
1**



TEMPORARY UNDERGROUND SERVICE POLE
200 AMP SINGLE PHASE SERVICE

NOTES:

1. CUSTOMER SHALL SUPPLY, INSTALL, MAINTAIN, AND OWN EVERYTHING SHOWN EXCEPT EQUIPMENT NOTED AS BY EWEB.
2. TEMPORARY METER POST AND SUPPORT BRACES SHALL BE LOCATED ON CUSTOMER PROPERTY AND INSTALLED IN A LOCATION THAT WILL NOT INTERFERE WITH THE INSTALLATION OF THE PERMANENT ELECTRICAL AND OTHER UTILITY SERVICE FACILITIES.
3. ELECTRICAL PERMIT SHALL BE DISPLAYED ON SERVICE EQUIPMENT.
4. CUSTOMER SHALL PROVIDE 5 FEET EXTRA SERVICE CONDUCTOR FOR CONNECTION INTO OPEN BOTTOM SECONDARY BOXES, OR 15 FEET FOR CONNECTION INTO A CONCRETE VAULT OR TRANSFORMER. SERVICE CONDUCTOR TO BE COILED NEXT TO EWEB BOX/VAULT.
5. MAY ALSO BE USED FOR 120/240 VOLT SINGLE PHASE TEMPORARY SERVICES UP TO 320 AMPS.

ELECTRIC SERVICE REQUIREMENT STANDARD
EUGENE WATER & ELECTRIC BOARD - EUGENE, OREGON

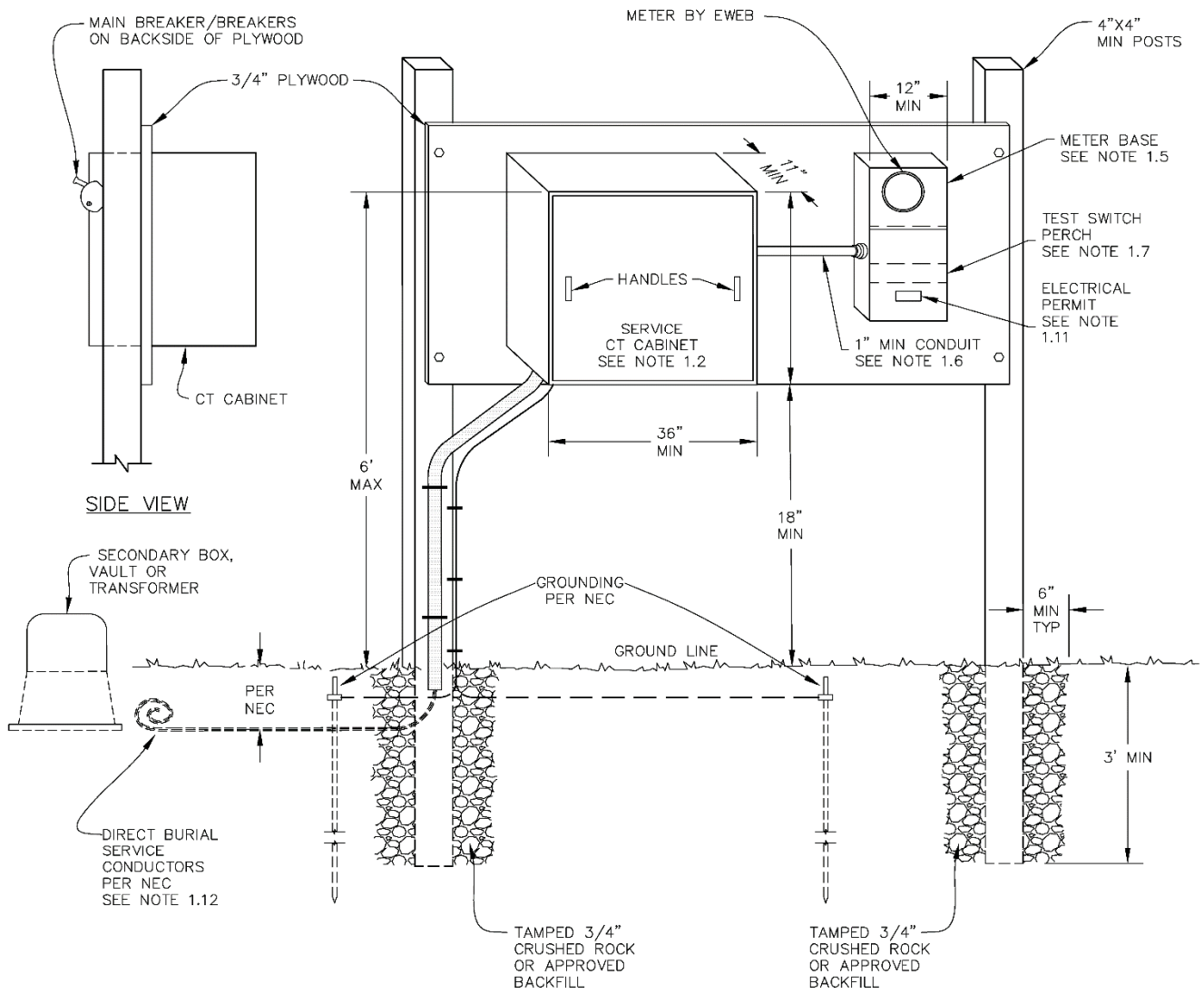
TEMPORARY SERVICE REQUIREMENTS

Approved May 23, 2017

EC5-B.3000

Page 3 of 6

REV
1



TEMPORARY UNDERGROUND CT SERVICE

ELECTRIC SERVICE REQUIREMENT STANDARD
 EUGENE WATER & ELECTRIC BOARD - EUGENE, OREGON

TEMPORARY SERVICE REQUIREMENTS

Approved May 23, 2017

EC5-B.3000

**REV
1**

Page 4 of 6

1.0 CT METERING REQUIREMENTS

- 1.1 All services larger than 200 amps up to and including 800 amps shall be installed in a current transformer (CT) cabinet sized as shown. **EXCEPTION** – For 120/240 volt single phase services with a continuous load of no more than 320 amps, a self-contained meter is acceptable.
- 1.2 The service CT cabinet shall be provided with the following:
- 1.2.a NEMA 250 Type 3R rating
 - 1.2.b Provisions for mounting EWEB provided bus bar type CT's
 - 1.2.c Blank door with two handles or hinged door. If the door is larger than 36" in either dimension, door shall be hinged. Neither the meter base nor test switches shall be mounted on the door. EWEB requires meter bases to be mounted remote from the CT cabinet. The preferred arrangement is to mount the service CT cabinet and meter base side-by-side as shown. Obtain EWEB approval to mount meter base above the service CT cabinet.
 - 1.2.d Means to install EWEB seal to prevent removal of front panel or opening hinged door without cutting the seal
- 1.3 Prior to ordering the CT cabinet, the customer shall submit a paper or electronic PDF file format copy of the CT cabinet drawings to EWEB's Electric Distribution department for meter shop approval.
- 1.4 Once drawings are approved, EWEB shall supply CT's to customer for customer installation in CT cabinet. CT's shall be installed with line or marked side pointing toward the line side. EWEB shall own and maintain CT's.
- 1.5 Provide meter base with provisions for mounting a test switch block and with meter clip configuration as directed by EWEB.
- 1.6 Provide metallic conduit of the size shown from the service CT cabinet to the meter base. The conduit shall:
- 1.6.a Not contain any LB's, junction or pull boxes of any kind
 - 1.6.b Be provided with conduit hubs with O ring gasket for a watertight termination at the CT cabinet and meter base to maintain the NEMA rating of each enclosure
- 1.7 EWEB shall provide, install, own, and maintain the following:
- 1.7.a Meter
 - 1.7.b Meter sealing ring
 - 1.7.c Test switches for meter wiring in meter base enclosure
 - 1.7.d Wiring from CT's and service bus to meter test switches and meter

- 1.8 Provide working space clear of obstructions in front of the meter and CT cabinet from the floor or finished grade to a height of 6.5 feet, a depth of 3 feet, and the width of the equipment or 30 inches wide, whichever is greater.
- 1.9 The point of delivery is designated by EWEB, and is at the line side terminals of the service CT bus bar.
- 1.10 Customer shall provide, install, own and maintain all service equipment, plywood and temporary meter posts, as shown.
- 1.11 Electrical permit must be displayed on service equipment.
- 1.12 Customer shall provide extra service conductor equal to the length of the longest dimensions of the secondary box or 15 ft. minimum for connection into a concrete vault or transformer, service conductor to be coiled behind EWEB's box/vault.

2.0 REFERENCE STANDARDS

- A Refer to EC4-2.1200 for Customer installed guy/anchor kit.
- B Refer to EC5-7.0900 for Metering single phase three wire 320 amp self-contained 120/240V.
- C Refer to EC5-7.2400 for Metering single phase three wire, with 2 CT's.
- D Refer to EC5-7.2600 for Metering three phase four wire wye, with 3 CT's.